



PRODUCT SPECIFICATION

PERFORMANCE	STR1-070OF50-CUS
Light Output (lm)	9,100
Input Power (W)	70
Efficacy (lm/W)	> 130
CCT (K)	5,000K
CRI (Ra)	> 80
Power Factor	> 0.9
Input Voltage	120 – 277

※ Tolerance Range : ± 10%

PHYSICAL INFO	L×W×H
Dimension (mm /inch)	625 x 265 x 217 / 24.6 x 10.5 x 8.6
Weight (kg /lb)	< 4.3 kg / 9.5 lb

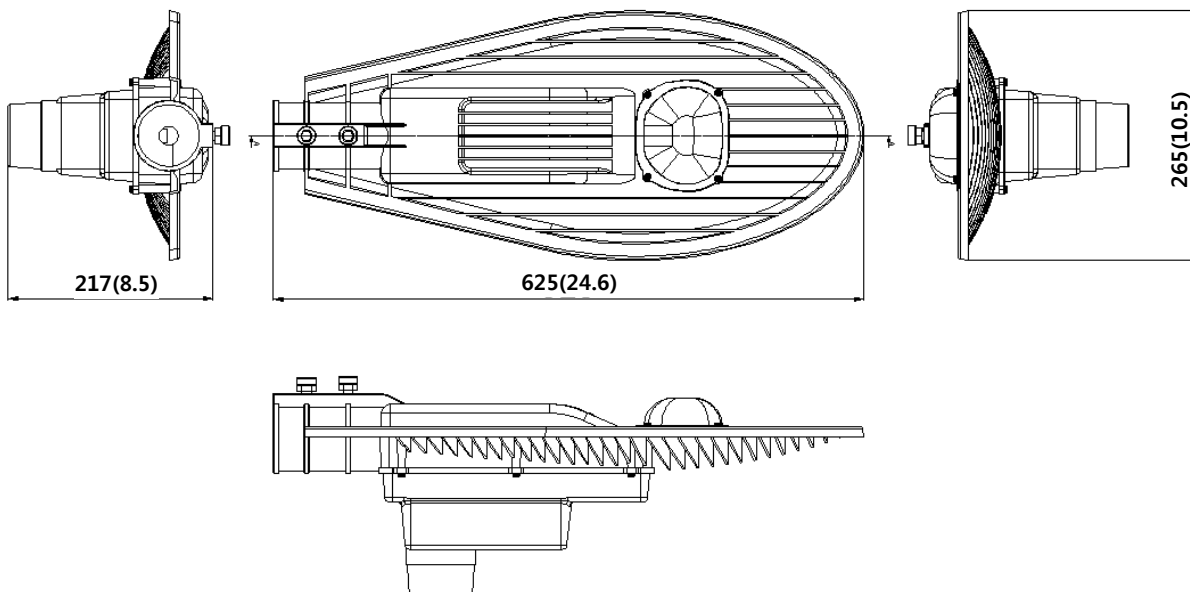
PRODUCT DESCRIPTION

- System Input Power: 70W
- Efficacy: > 130lm/W
- Input Frequency: 50/60Hz
- Dimmable Photocontrol Receptacle: ANCI C136.41-2013

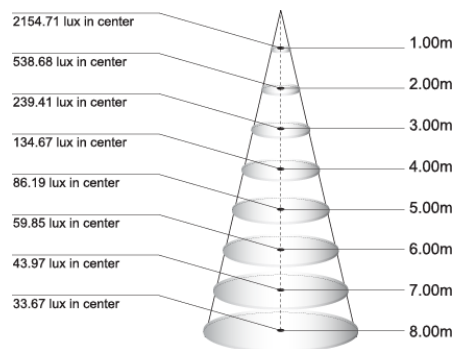
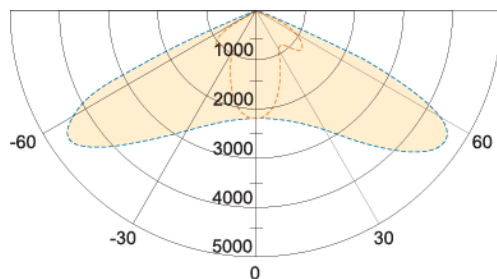
CERTIFICATIONS & QUALIFICATIONS



DIMENSIONS



LIGHT DISTRIBUTION & DISTANCE LUMINARY



ZONAL LUMEN SUMMARY

Zone	Lumens	% Lamp	Luminaire
0~30	2366	26	26.2
30~60	5915	65	62.8
60~90	819	9	11.0
0~90	9100	100	100

COEFFICIENTS OF UTILIZATION

RC	90				70				50			0
	60	50	30	10	60	50	30	10	50	30	10	0
RW												
RCR (0)	0.98	0.98	0.98	0.98	0.95	0.95	0.95	0.95	0.93	0.93	0.93	0.88
1	0.90	0.88	0.85	0.83	0.87	0.86	0.84	0.81	0.84	0.82	0.80	0.76
2	0.81	0.78	0.73	0.69	0.79	0.76	0.72	0.68	0.74	0.70	0.67	0.63
3	0.73	0.69	0.63	0.58	0.70	0.67	0.61	0.57	0.65	0.60	0.56	0.53
4	0.66	0.61	0.54	0.48	0.63	0.59	0.53	0.48	0.58	0.52	0.47	0.45
5	0.60	0.55	0.47	0.41	0.57	0.53	0.46	0.41	0.51	0.45	0.40	0.38
6	0.54	0.49	0.41	0.36	0.52	0.47	0.40	0.35	0.46	0.40	0.35	0.32
7	0.49	0.44	0.36	0.31	0.47	0.43	0.36	0.31	0.41	0.35	0.30	0.28
8	0.45	0.40	0.32	0.27	0.43	0.39	0.32	0.27	0.38	0.31	0.27	0.25
9	0.42	0.36	0.29	0.24	0.40	0.35	0.29	0.24	0.34	0.28	0.24	0.22
10	0.39	0.33	0.26	0.22	0.37	0.33	0.26	0.22	0.32	0.26	0.21	0.20

CR = Room Cavity Ratio
 RC = Effective Ceiling Cavity Reflectance
 RW = Wall Reflectance

ORDERING INFORMATION

STR	1	-	70	OF	50	CUS				
Model	Lens	-	Wattage	Control type	CCT	National				
STR	1	1	70	70W	OF	ON/OFF	50	5000K	CUS	US



PRODUCT SPECIFICATION

PERFORMANCE	STR2-100OF50-CUS
Light Output (lm)	13,000
Input Power (W)	100
Efficacy (lm/W)	> 130
CCT (K)	5,000K
CRI (Ra)	> 80
Power Factor	> 0.9
Input Voltage	120 – 277

※ Tolerance Range : ± 10%

PHYSICAL INFO	L×W×H
Dimension (mm/inch)	725 x 285 x 217 / 28.5 x 11.2 x 8.5
Weight (kg/lb)	< 6.4 kg / 14.1 lb

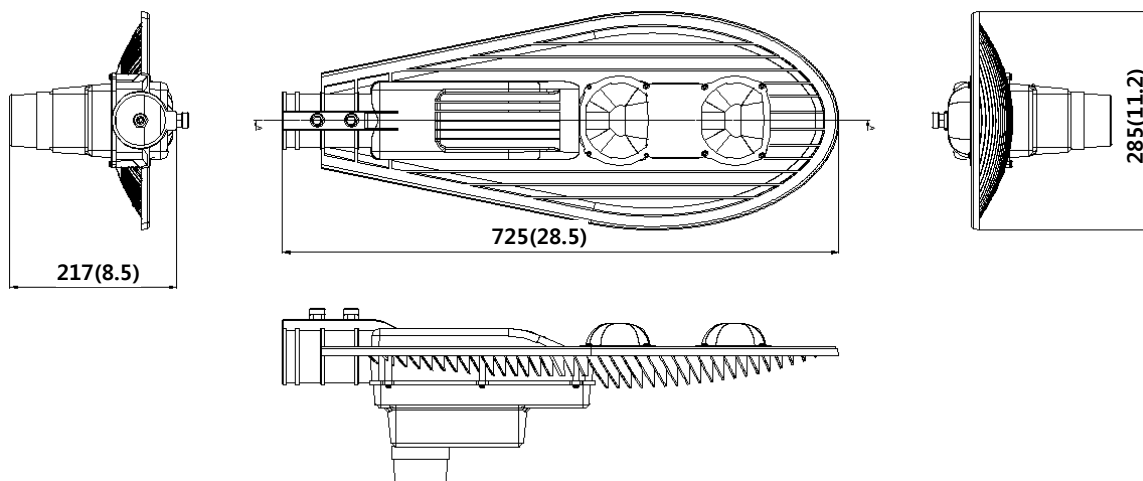
PRODUCT DESCRIPTION

- System Input Power: 100W
- Efficacy: > 130lm/W
- Input Frequency: 50/60Hz
- Dimmable Photocontrol Receptacle: ANCI C136.41-2013

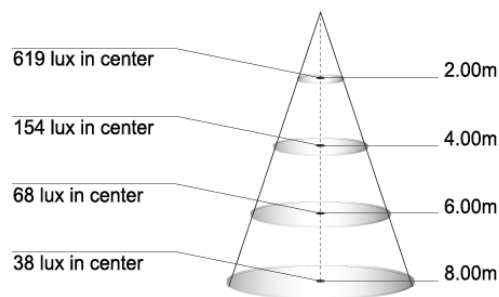
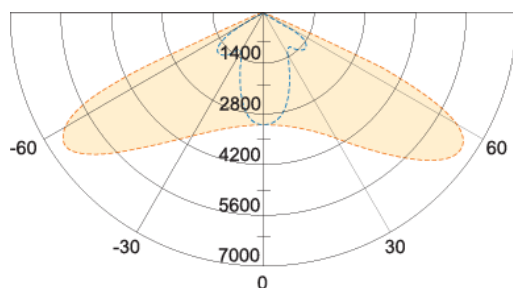
CERTIFICATIONS & QUALIFICATIONS



DIMENSIONS



LIGHT DISTRIBUTION & DISTANCE LUMINARY



ZONAL LUMEN SUMMARY

Zone	Lumens	% Lamp	Luminaire
0~30	3068	23.6	23.6
30~60	7761	59.7	59.7
60~90	2171	16.7	16.7
0~90	13000	100	100

COEFFICIENTS OF UTILIZATION

RC	80				70				50			0
	70	50	30	10	70	50	30	10	50	30	10	0
RW	1.06	1.06	1.06	1.06	1.04	1.04	1.04	1.04	0.99	0.99	0.99	0.89
RCR (0)	1.06	1.06	1.06	1.06	1.04	1.04	1.04	1.04	0.99	0.99	0.99	0.89
1	0.98	0.94	0.91	0.88	0.96	0.92	0.89	0.86	0.88	0.86	0.84	0.77
2	0.89	0.83	0.77	0.72	0.87	0.81	0.76	0.71	0.78	0.73	0.69	0.64
3	0.81	0.72	0.65	0.59	0.79	0.71	0.64	0.59	0.68	0.62	0.58	0.54
4	0.74	0.63	0.56	0.50	0.72	0.62	0.55	0.49	0.60	0.54	0.49	0.45
5	0.68	0.56	0.48	0.42	0.66	0.55	0.48	0.42	0.53	0.47	0.42	0.39
6	0.62	0.50	0.42	0.36	0.60	0.49	0.52	0.36	0.48	0.41	0.36	0.33
7	0.57	0.45	0.37	0.32	0.56	0.44	0.37	0.32	0.43	0.36	0.31	0.29
8	0.53	0.41	0.33	0.28	0.52	0.40	0.33	0.28	0.39	0.32	0.28	0.26
9	0.50	0.37	0.30	0.25	0.48	0.37	0.30	0.25	0.36	0.29	0.25	0.23
10	0.46	0.34	0.27	0.22	0.45	0.34	0.27	0.22	0.33	0.27	0.22	0.20

CR = Room Cavity Ratio
 RC = Effective Ceiling Cavity Reflectance
 RW = Wall Reflectance

ORDERING INFORMATION

STR	2	-	100	OF	50	CUS			
Model	Lens		-	Wattage		Control type	CCT	National	
STR	2	2	-	100	100W	OF ON/OFF	50 5000K	CUS	US



PRODUCT SPECIFICATION

PERFORMANCE	STR2-150OF50-CUS
Light Output (lm)	19,500
Input Power (W)	150
Efficacy (lm/W)	> 130
CCT (K)	5,000K
CRI (Ra)	> 80
Power Factor	> 0.9
Input Voltage	120 – 277

※ Tolerance Range : ± 10%

PHYSICAL INFO	L×W×H
Dimension (mm/inch)	725 x 285 x 217 / 28.5 x 11.2 x 8.5
Weight (kg/lb)	< 6.4 kg / 14.1 lb

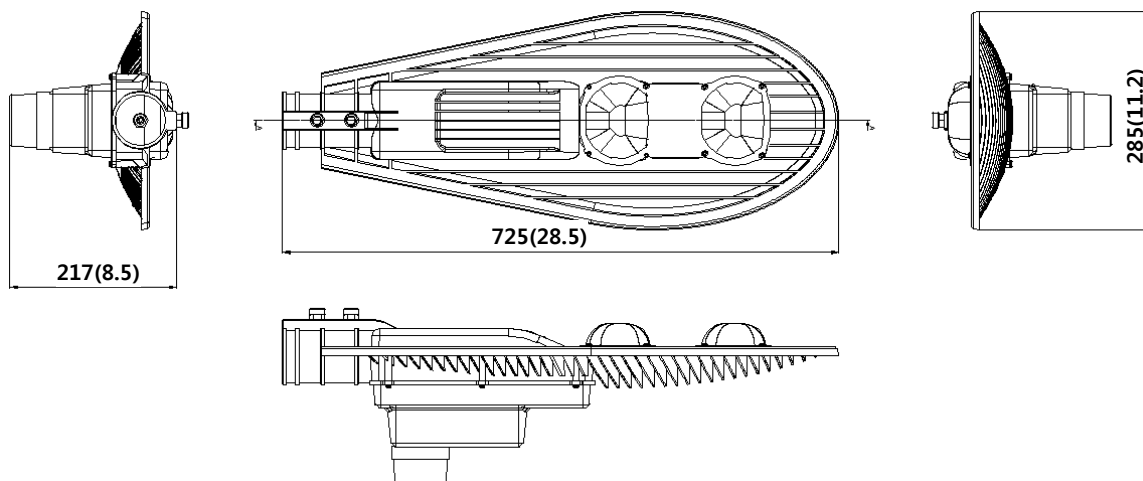
PRODUCT DESCRIPTION

- System Input Power: 150W
- Efficacy: > 130lm/W
- Input Frequency: 50/60Hz
- Dimmable Photocontrol Receptacle;
ANSI C136.41-2013

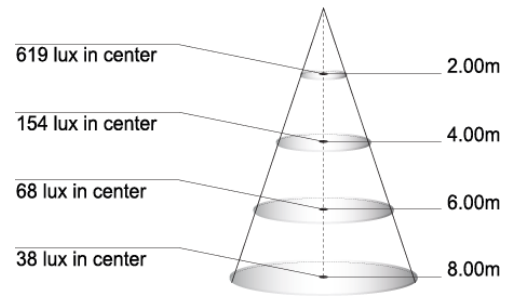
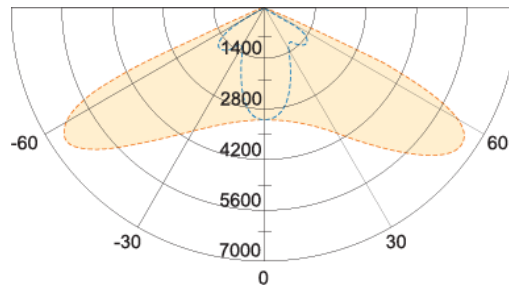
CERTIFICATIONS & QUALIFICATIONS



DIMENSIONS



LIGHT DISTRIBUTION & DISTANCE LUMINARY



ZONAL LUMEN SUMMARY

Zone	Lumens	% Lamp	Luminaire
0~30	4602	23.6	23.6
30~60	11641.5	59.7	59.7
60~90	3256.5	16.7	16.7
0~90	13000	100	100

COEFFICIENTS OF UTILIZATION

RC	80				70				50			0
	70	50	30	10	70	50	30	10	50	30	10	0
RW	1.06	1.06	1.06	1.06	1.04	1.04	1.04	1.04	0.99	0.99	0.99	0.89
RCR (0)	1.06	1.06	1.06	1.06	1.04	1.04	1.04	1.04	0.99	0.99	0.99	0.89
1	0.98	0.94	0.91	0.88	0.96	0.92	0.89	0.86	0.88	0.86	0.84	0.77
2	0.89	0.83	0.77	0.72	0.87	0.81	0.76	0.71	0.78	0.73	0.69	0.64
3	0.81	0.72	0.65	0.59	0.79	0.71	0.64	0.59	0.68	0.62	0.58	0.54
4	0.74	0.63	0.56	0.50	0.72	0.62	0.55	0.49	0.60	0.54	0.49	0.45
5	0.68	0.56	0.48	0.42	0.66	0.55	0.48	0.42	0.53	0.47	0.42	0.39
6	0.62	0.50	0.42	0.36	0.60	0.49	0.52	0.36	0.48	0.41	0.36	0.33
7	0.57	0.45	0.37	0.32	0.56	0.44	0.37	0.32	0.43	0.36	0.31	0.29
8	0.53	0.41	0.33	0.28	0.52	0.40	0.33	0.28	0.39	0.32	0.28	0.26
9	0.50	0.37	0.30	0.25	0.48	0.37	0.30	0.25	0.36	0.29	0.25	0.23
10	0.46	0.34	0.27	0.22	0.45	0.34	0.27	0.22	0.33	0.27	0.22	0.20

CR = Room Cavity Ratio
 RC = Effective Ceiling Cavity Reflectance
 RW = Wall Reflectance

ORDERING INFORMATION

STR	2	-	150	OF	50	CUS			
Model	Lens		-	Wattage		Control type	CCT	National	
STR	2	2	-	150	150W	OF ON/OFF	50 5000K	CUS	US